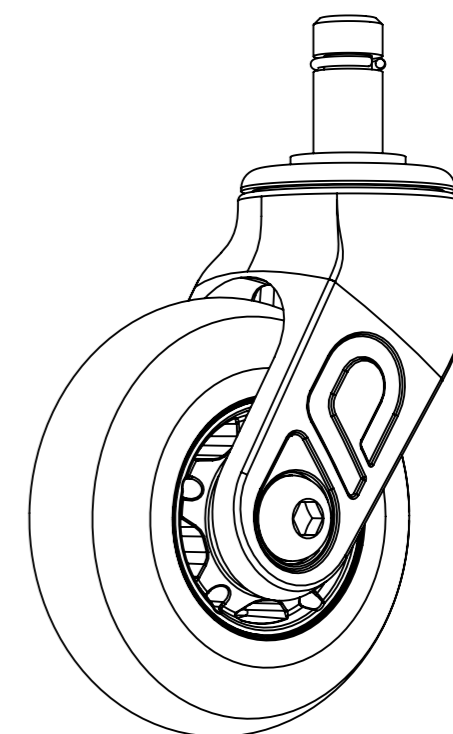
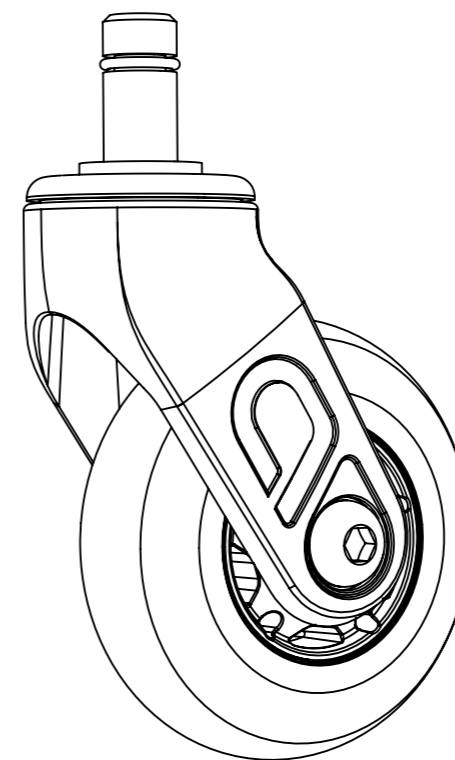
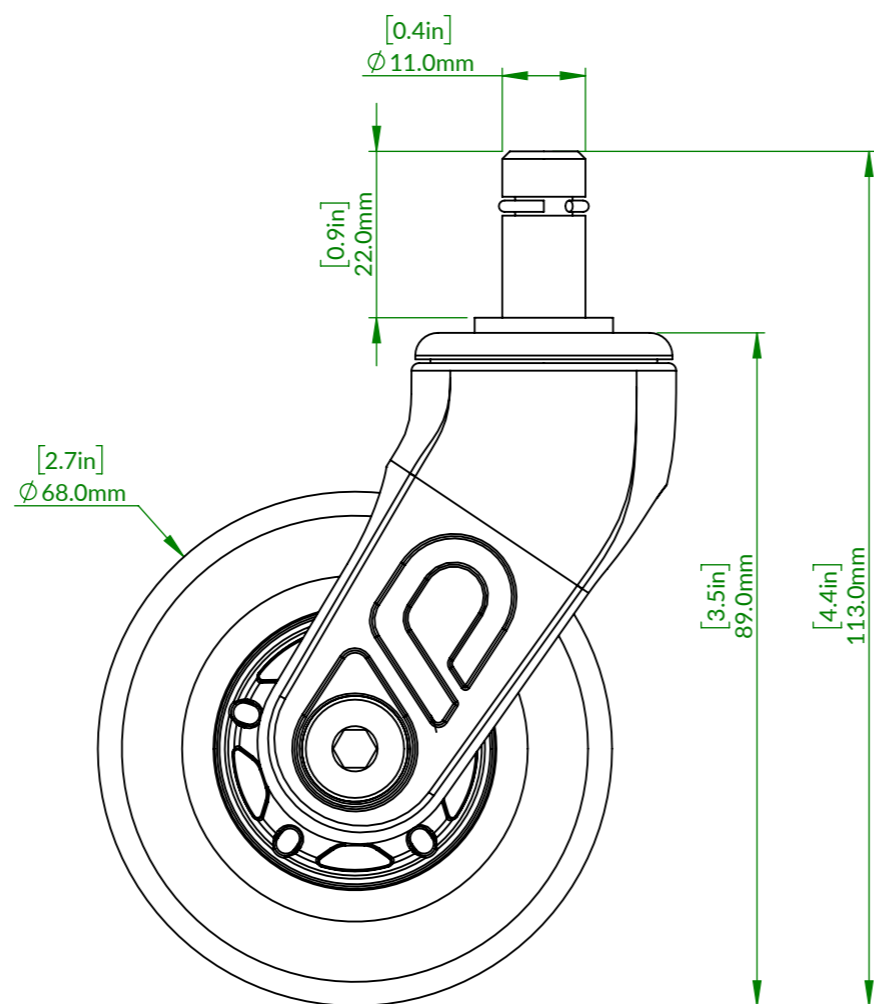
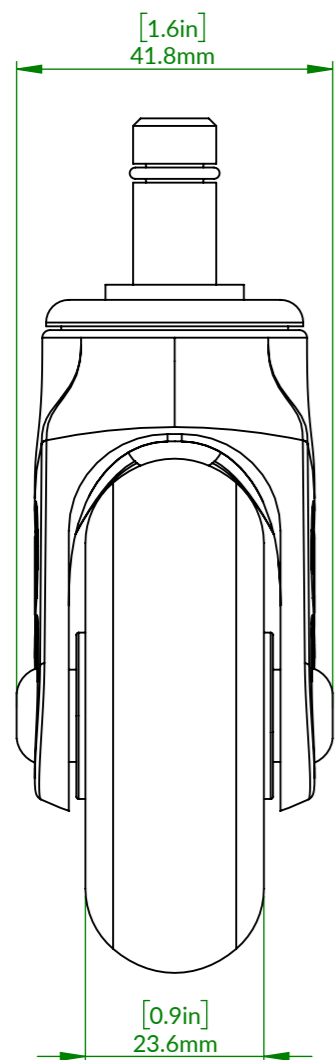


REVISIONS				
ZONE	REV.	DESCRIPTION	DATE	APPROVED
	4.0		2021/10/05	Marcy



Material:		This drawing is our property it can't be reproduced or communicated without our written agreement.	Description:	
Finish:			Drawn by:	Drawn Date:
Unless Otherwise Stated: All Dimensions: mm		ERP No.	Checked/Approved by:	
Drawing Scale: <b>1:1</b>		Company Confidential		Checked/Approved Date:
Approx Weight: <b>g</b>	Note:	Legal Owner:		Part Number: <b>OC-ASM-2.8x1in-PJK-E02</b>
Projection Method: THIRD ANGLE	Sheet Size: <b>A3</b>	Natural Technology Co., LTD		Drawing Number:
		<b>2 of 13</b>		Revision: