

1

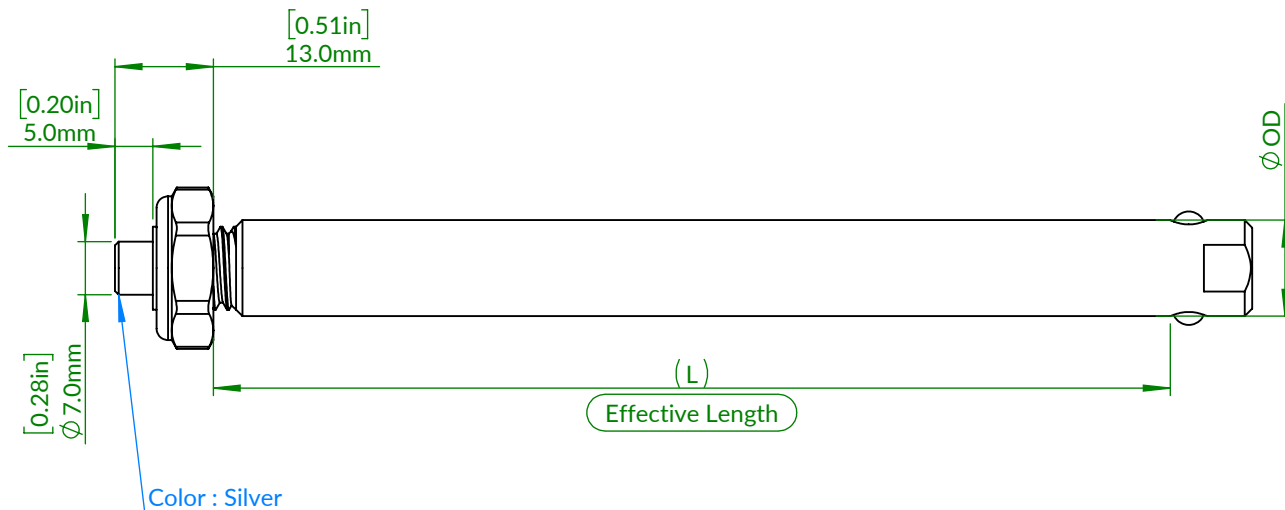
2

3

4

REVISIONS

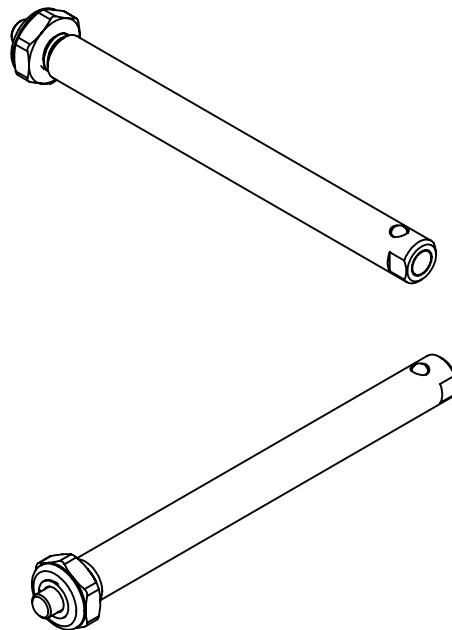
ZONE	REV.	DESCRIPTION	DATE	APPROVED
	3.2	Revised the dimension with description	2023/07/12	Marcy



Ø OD	Adapt
1/2" (12.7mm)	Bearing R8
12.0mm	Bearing 6201

Dimension	
Type	L-(inch)
A	5.00
B	4.75
C	4.50
D	4.25
E	4.00
F	3.75
G	3.50
H	5.25

Customized Available.



Material: SAE 4130		This drawing is our property it can't be reproduced or communicated without our written agreement.	Description: Quick Release-N Type	
Finish: Chrom Plated / ED Black			Drawn by:	Drawn Date:
ERP No.			Checked/Approved by:	Checked/Approved Date:
Drawing Scale: 1:1		Company Confidential		
Approx Weight: g	Note:	Legal Owner: Natural Technology Co., LTD	Part Number: RN-ASY-Quick Release-N Type-01	
Projection Method: THIRD ANGLE	Sheet Size: A4		Drawing Number:	Sheet: 2 of 3
				Revision: