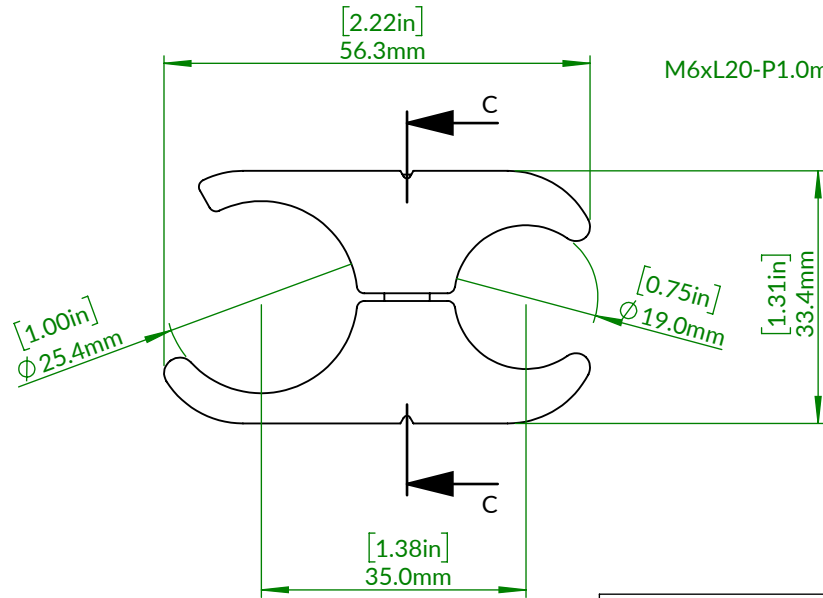
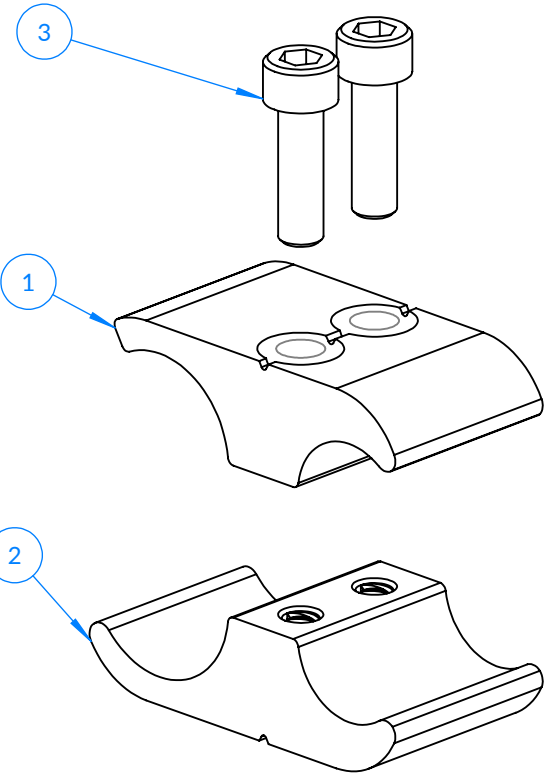
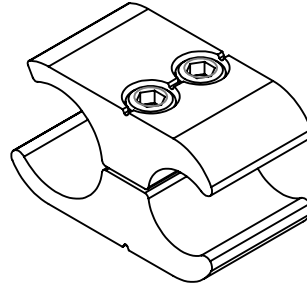
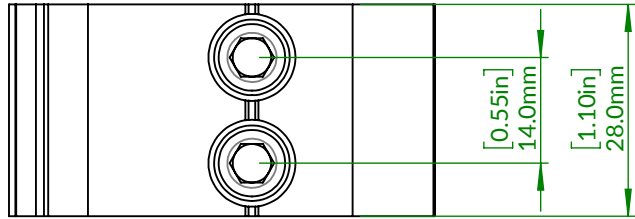
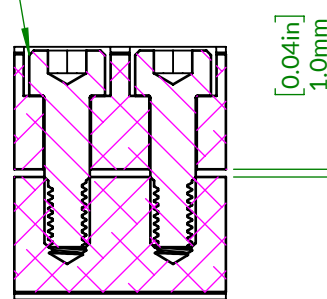


ITEM NO.	PART NUMBER	DESCRIPTION	QTY.
1	19-25-Male		1
2	19-25-Female		1
3	Hexagon socket pan head screws-M6 x 1.0 x L 20	ED Black	2

REVISIONS				
ZONE	REV.	DESCRIPTION	DATE	APPROVED
	1.0		2024/04/29	Marcy



M6xL20-P1.0mm * 2pcs



Section C-C

PROPRIETARY & CONFIDENTIAL

THE INFORMATION CONTAINED IN THIS DRAWING IS THE SOLE PROPERTY OF NATURAL TECHNOLOGY CO., LTD. ANY REPRODUCTION IN PART OR AS A WHOLE WITHOUT THE WRITTEN PERMISSION OF NATURAL TECHNOLOGY CO., LTD. IS PROHIBITED.

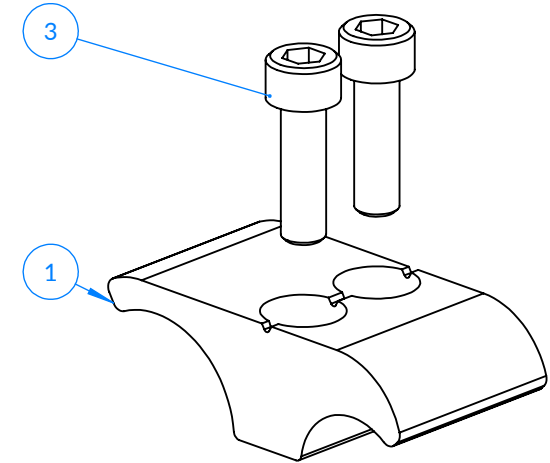
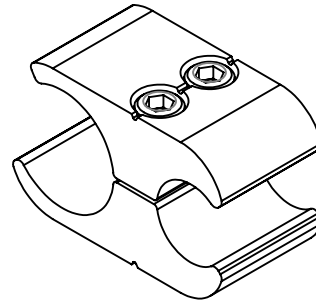
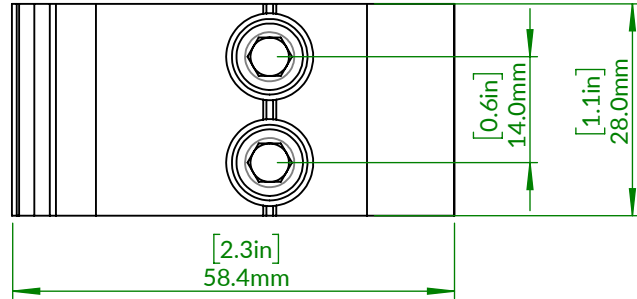
n NATURAL TECHNOLOGY CO., LTD

All Dimensions: mm

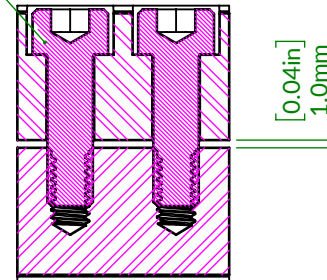
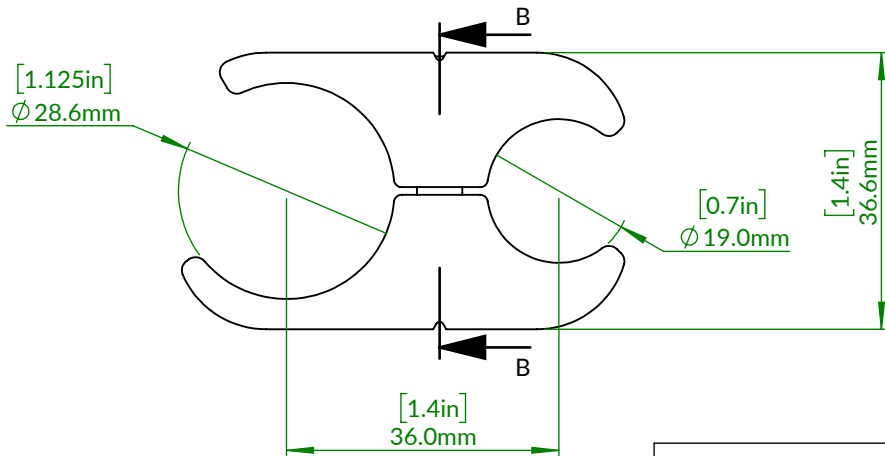
Finish:	Anodized Black Clamp	Drawing Scale:	1:1
Material:	Aluminum Clamp	Sheet Size:	A4
Part No.:	CLM-ASY-1925-B01	Sheet:	2 of 4
Drawn by:	Marcy	PROJECTION	
Approved by:		THIRD ANGLE	
		ERP No.:	
		Approx Weight:	
		Date:	2024/04/29
		Date:	

ITEM NO.	PART NUMBER	DESCRIPTION	QTY.
1	19-28-Male		1
2	19-28-Female		1
3	Hexagon socket pan head screws M6 x 1.0 x 20	ED Black	2

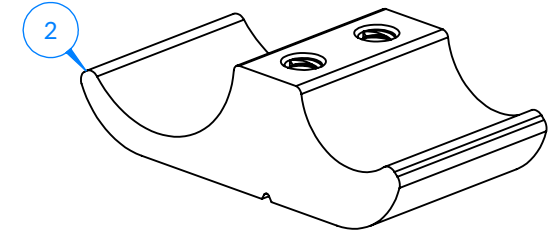
REVISIONS				
ZONE	REV.	DESCRIPTION	DATE	APPROVED
	1.0		2024/04/29	Marcy



M6xL20-P1.0mm * 2pcs



SECTION B-B



PROPRIETARY & CONFIDENTIAL

THE INFORMATION CONTAINED IN THIS DRAWING IS THE SOLE PROPERTY OF NATURAL TECHNOLOGY CO., LTD. ANY REPRODUCTION IN PART OR AS A WHOLE WITHOUT THE WRITTEN PERMISSION OF NATURAL TECHNOLOGY CO., LTD. IS PROHIBITED.

NATURAL TECHNOLOGY CO., LTD

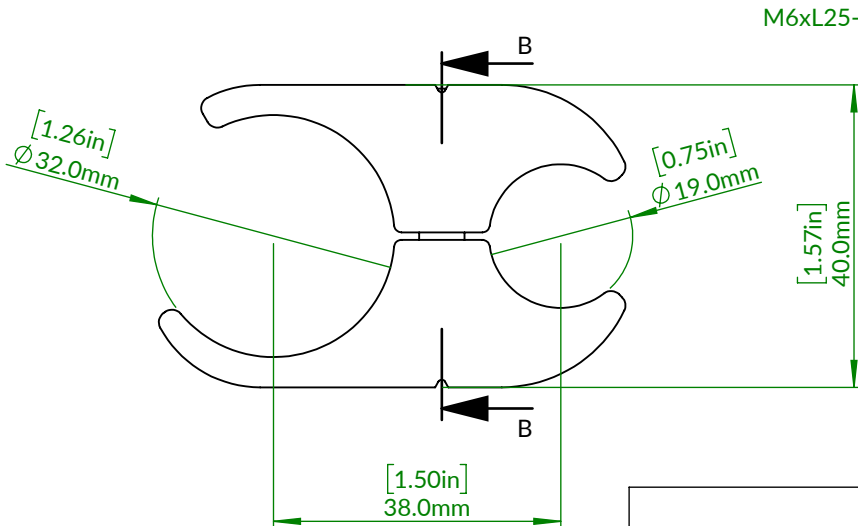
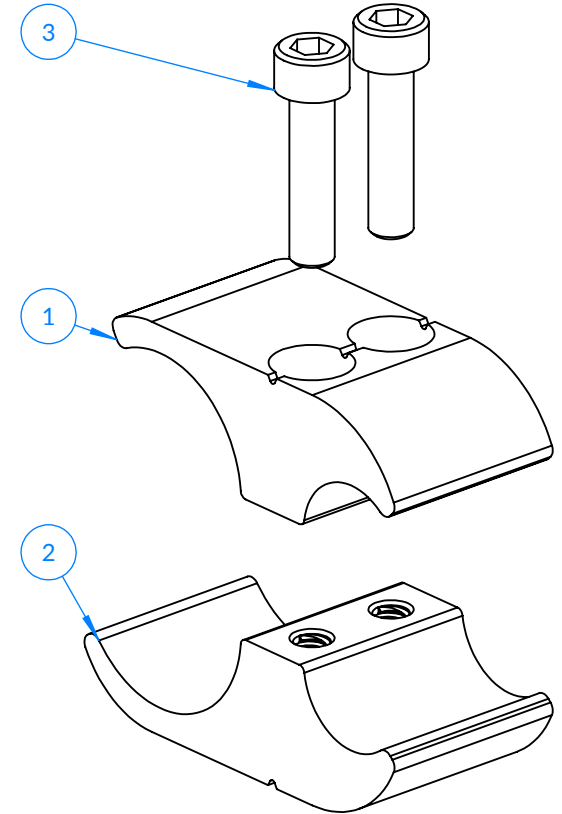
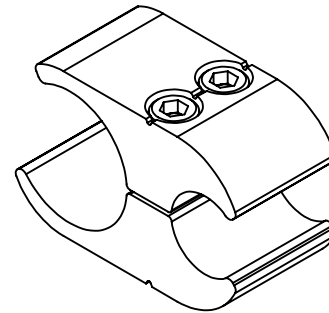
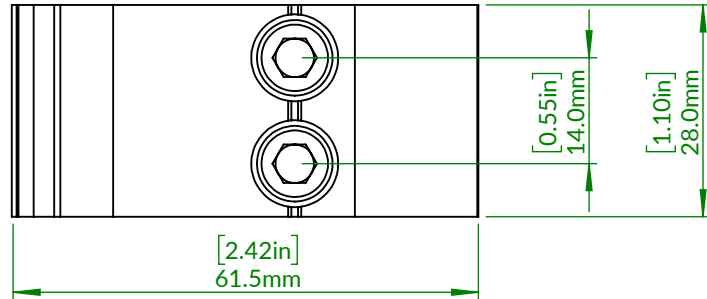
All Dimensions: mm

Finish:	Anodized Black Clamp	Drawing Scale:	1:1
Material:	Aluminum Clamp	Sheet Size:	A4
Part No.:	CLM-ASY-1928-B01	Sheet:	2 of 4
Drawn by:	Marcy	Date:	2024/04/29
Approved by:		Date:	

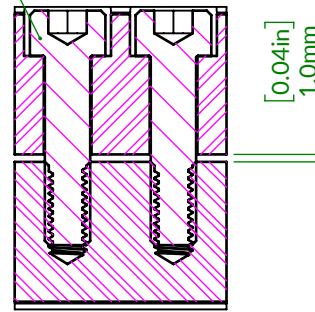
PROJECTION THIRD ANGLE

ITEM NO.	PART NUMBER	DESCRIPTION	QTY.
1	19-32-Male		1
2	19-32-Female		1
3	Hexagon socket pan head screws - M6 x P1.0 x L25	ED Black	2

REVISIONS				
ZONE	REV.	DESCRIPTION	DATE	APPROVED
	1.0		2024/04/29	Marcy



M6xL25-P1.0mm * 2pcs



SECTION B-B

PROPRIETARY & CONFIDENTIAL THE INFORMATION CONTAINED IN THIS DRAWING IS THE SOLE PROPERTY OF NATURAL TECHNOLOGY CO., LTD. ANY REPRODUCTION IN PART OR AS A WHOLE WITHOUT THE WRITTEN PERMISSION OF NATURAL TECHNOLOGY CO., LTD. IS PROHIBITED.	NATURAL TECHNOLOGY CO., LTD		All Dimensions: mm	
	Finish:	Anodized Black Clamp	Drawing Scale:	1:1
	Material:	Aluminum Clamp	Sheet Size:	A4
	Part No.:	CLM-ASY-1932-B01	Sheet:	2 of 4
	Drawn by:	Marcy	Date:	2024/04/29
	Approved by:		Date:	
		PROJECTION THIRD ANGLE		

6

5

4

3

2

1